

POS-DA01

12-24VDC DALI to PWM LED Driver



■ Features:

- Convert DALI signal to PWM
 - Built-in push dimming
- Comply to DALI standard (IEC62386-101,102,207)
 - Dimming range 0.1% - 100%
 - IP20 protection degree



© ELECTRICAL SPECIFICATION

MODEL	POS-DA01
--------------	----------

OUTPUT

Output voltage range	12-24V
Rated current	6.25A
Max. output wattage	150W (24V), 75W (12V)
Output signal	PWM (1kHz)
Output dimming range	0.1-100%

INPUT

Input mode	DALI, push dimming
Input voltage	12-24V
Input wattage	150W

PROTECTIONS

Over current	Range: 110 ÷ 150%
---------------------	-------------------

WORKING ENVIRONMENT

Working temperature	-40°C ÷ 50°C
Working humidity	15 ÷ 95% RH (non-condensing)
Storage temperature and humidity	-40°C ÷ +80°C, 10 ÷ 95% H (non-condensing)

SAFETY AND REGULATIONS

Safety standards	Compliance with EN61347-1, EN61347-2-13
DALI standards	Compliance with 62386-101, 102, 207

OTHERS

Dimensions	78 x 39.8 x 16mm (L x W x H)
-------------------	------------------------------

EAN code



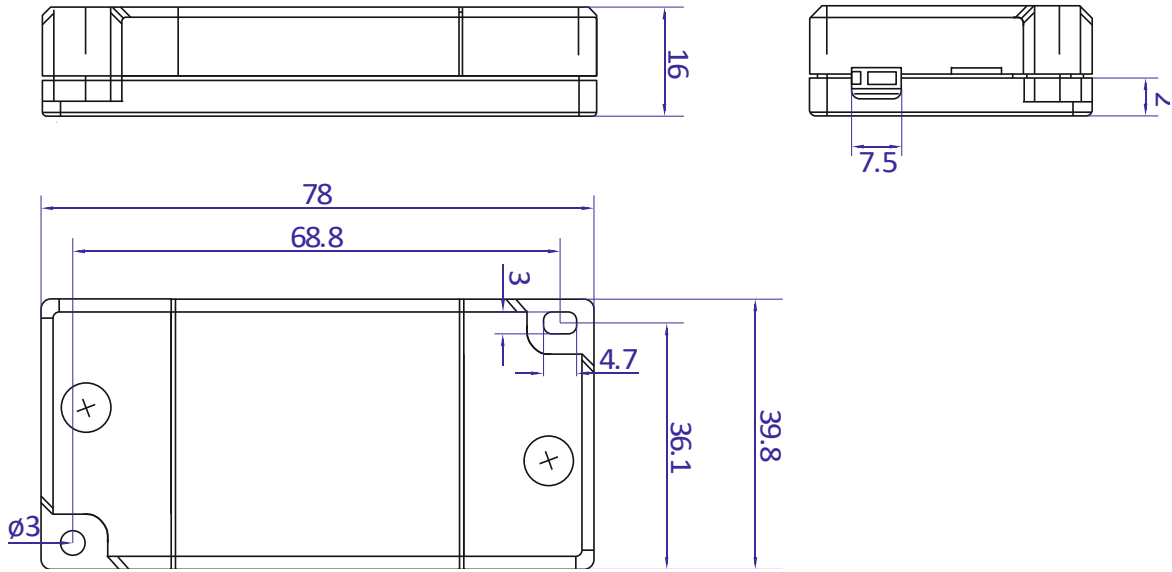
5190213511261031

POS-DA01

12-24VDC DALI to PWM LED Driver

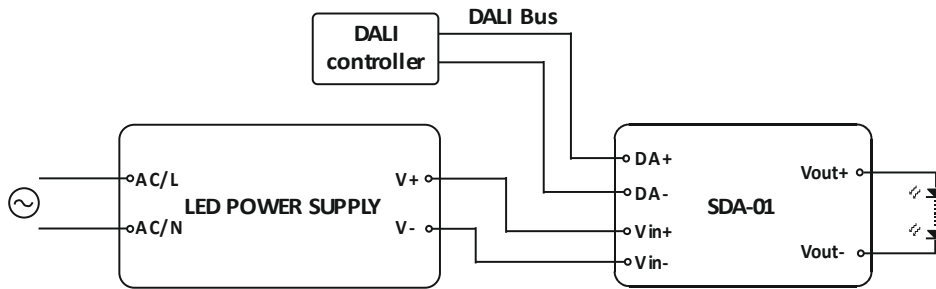


© MECHANICAL SPECIFICATIONS

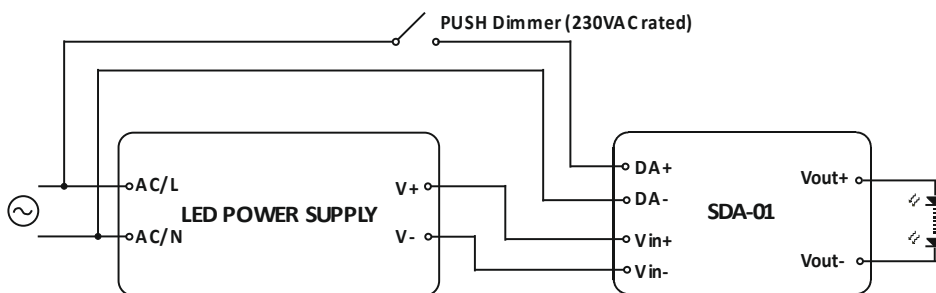


© WIRING DIAGRAMS

The DALI wiring diagram



The PUSH dimming wiring diagram



PIN ASSIGNMENT

Symbol	Function	Symbol	Function
DA-	DALI signal / AC/N	Vin-	Input: AC/N
DA+	DALI signal / AC/L, push dimmer	Vout+	Output: positive terminal
Vin+	Input: AC/L	Vout-	Output: negative terminal