

The power behind your lights



Model: JLV-12036PA-W Size: 162x28x20mm
JLV-24036PA-W



Brief Information

Ultra Compact Series

36W

Waterproof Power Supply (C.V.)

Model JLV-12036PA-W / JLV-24036PA-W

Input 185-250V AC

Output 12VDC 3A 36W/ 24VDC 1.5A 36W

Product Features

- Plastic housing, LPV standard
- High transfer efficiency
- Compact size
- IP67, for both indoor & outdoor
- 100% full loading, 100% burn-in tested
- Overload/short circuit protection

MAIN ELECTRICAL DATA

AC Input

Input Voltage	185-250V AC
Input Frequency	50/60Hz
Efficiency (Typ.)	88%
Input Current	230V: 0.26A max.
Inrush Current	40A
Leakage Current	5mA/230VAC

DC Output

Output Voltage	12V	:	24V
Rated Current	3A	:	1.5A
Rated Power	36W	:	36W
Ripple & Noise (Max.)	<400mVp-p	:	<400mVp-p
Setup, Rise Time	1500ms/230VAC	:	1500ms/230VAC
Line Regulation	1%	:	1%
Load Regulation	1%	:	1%

Service Environment

Working Temp.	-30°C~50°C
Working Humidity	20~95%RH
Storage Temp.	-40°C~80°C
Storage Humidity	10~95%RH

Packaging Information

Product Dimension	162x28x20mm
Products Net Weight	140G
PCS/Carton(QTY)	100 PCS
G. Weight/ Carton	16KG
Master Carton Meas.	36x29x22cm

Protection

Overload	Yes, active when loading is over 110~120%, output voltage drops
Short Circuit	Yes, hip-cup mode recovers after fault condition is removed

Safety

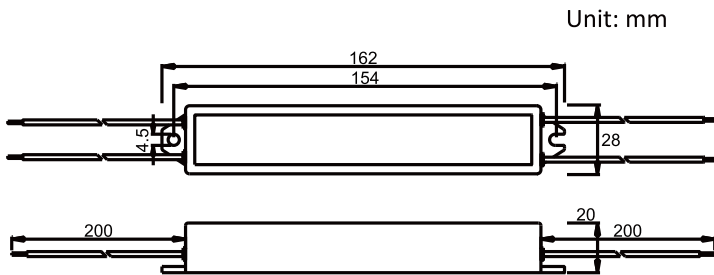
Safety Standard	EN 61347-2-13
Withstand Voltage	I/P-O/P: 3000VAC/1min/<5mA
Isolation Resistance	I/P-O/P: >100M Ohms / 500VDC /25°C / 70%RH

Installation Tips:

- Please identify the power supply's input and output before installation.
- Ensure correct output + & - wire connection. Power on after wire connection is done.
- To avoid voltage drop and loading capacity wasting on the output extension wire, please install the power supply to the loading as near as possible, if must use long extension wires, thicker wires and less loading wattage is required.
- The power supply to be installed at good ventilation and cooling environment.

The power behind your lights

Physical Drawing



Brief Information

Ultra Compact Series

36W

Waterproof Power Supply (C.V.)

Model JLV-12036PA-W / JLV-24036PA-W

Input 185-250V AC

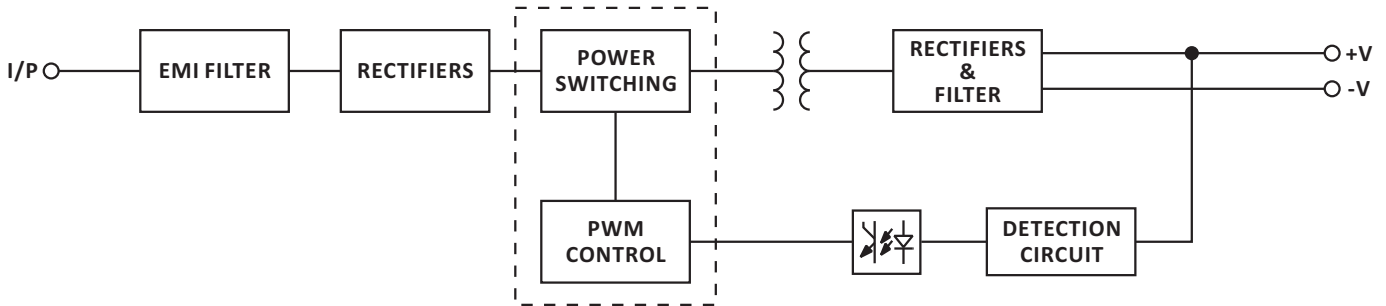
Output 12VDC 3A 36W/ 24VDC 1.5A 36W

Input: 2x0.5mm² wire, Brown L, Blue N
200mm length

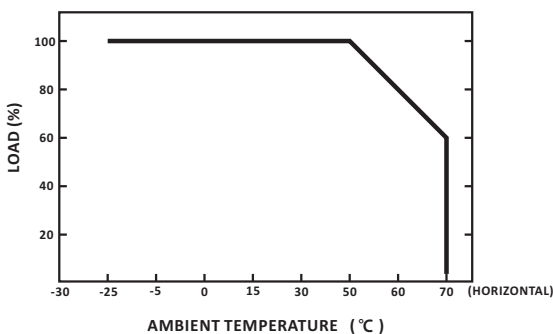
Output: 2x0.5mm² wire, Red +, Black -
200mm length

Housing: ABS (fire retardant V0)

Block Diagram



Derating Curve



Static Characteristics

