

The power behind your lights



Model: JLV-12024PA-W    Size: 142x28\*20mm  
 JLV-24024PA-W



**Brief Information**

Ultra Compact Series

**24W**

**Waterproof Power Supply (C.V.)**

Model JLV-12024PA-W / JLV-24024PA-W

Input 185-250V AC

Output 12VDC 2A 24W/ 24VDC 1A 24W

**Product Features**

- Plastic housing, LPV standard
- High transfer efficiency
- Compact size
- IP67, for both indoor & outdoor
- 100% full loading, 100% burn-in tested
- Overload/short circuit protection

**MAIN ELECTRICAL DATA**

**AC Input**

Input Voltage	185-250V AC
Input Frequency	50/60Hz
Efficiency (Typ.)	85%
Input Current	230V: 0. 18A max.
Inrush Current	45A
Leakage Current	5mA/230VAC

**DC Output**

Output Voltage	12V	:	24V
Rated Current	2A	:	1A
Rated Power	24W	:	24W
Ripple & Noise (Max.)	<400mVp-p	:	<100mVp-p
Setup, Rise Time	1500ms/230VAC	:	1500ms/230VAC
Line Regulation	1%	:	1%
Load Regulation	1%	:	1%

**Service Environment**

Working Temp.	-30°C~50°C
Working Humidity	20~95%RH
Storage Temp.	-40°C~80°C
Storage Humidity	10~95%RH

**Packaging Information**

Product Dimension	148x28x20mm
Products Net Weight	125G
PCS/Carton(QTY)	100 PCS
G. Weight/ Carton	14KG
Master Carton Meas.	32x29x22cm

**Protection**

Overload	Yes, active when loading is over 110~120%, output voltage drops
Short Circuit	Yes, hip-cup mode recovers after fault condition is removed

**Safety**

Safety Standard	EN 61347-2-13
Withstand Voltage	I/P-O/P: 3000VAC/1min/<5mA
Isolation Resistance	I/P-O/P: >100M Ohms / 500VDC /25°C / 70%RH

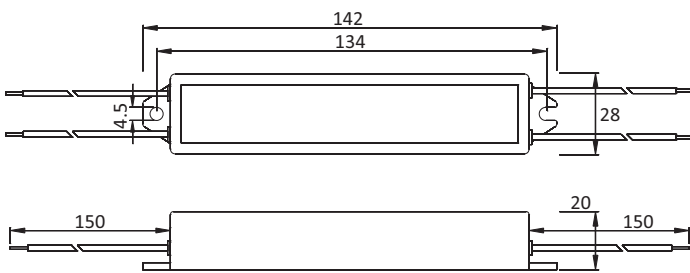
**Installation Tips:**

- Please identify the power supply's input and output before installation.
- Ensure correct output + & - wire connection. Power on after wire connection is done.
- To avoid voltage drop and loading capacity wasting on the output extension wire, please install the power supply to the loading as near as possible, if must use long extension wires, thicker wires and less loading wattage is required.
- The power supply to be installed at good ventilation and cooling environment.

The power behind your lights

## Physical Drawing

Unit: mm



### Brief Information

Ultra Compact Series

# 24W

**Waterproof Power Supply (C.V.)**

Model JLV-12024PA-W / JLV-24024PA-W

Input 185-250V AC

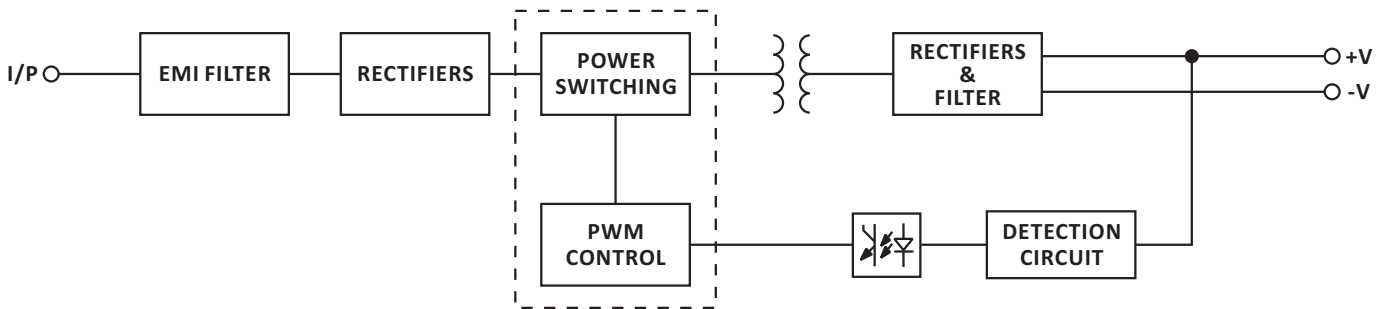
Output 12VDC 2A 24W/ 24VDC 1A 24W

Input: 2x0.5mm<sup>2</sup> wire, Brown L, Blue N  
150mm length

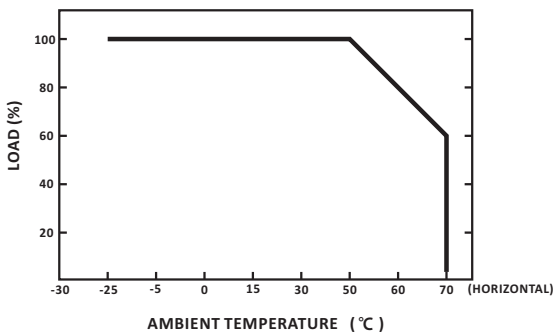
Output: 2x0.5mm<sup>2</sup> wire, Red +, Black -  
150mm length

Housing: Plastic (ABS)

## Block Diagram



## Derating Curve



## Static Characteristics

